

# Vector Semi-Flush

7724305 | 1.0

## GENERATION LIGHTING CEILING

### SAVE THESE INSTRUCTIONS!

#### GENERAL PRODUCT INFORMATION:

These fixtures are intended to be installed utilizing NEC compliant junction boxes.

This product is safety listed for damp locations.

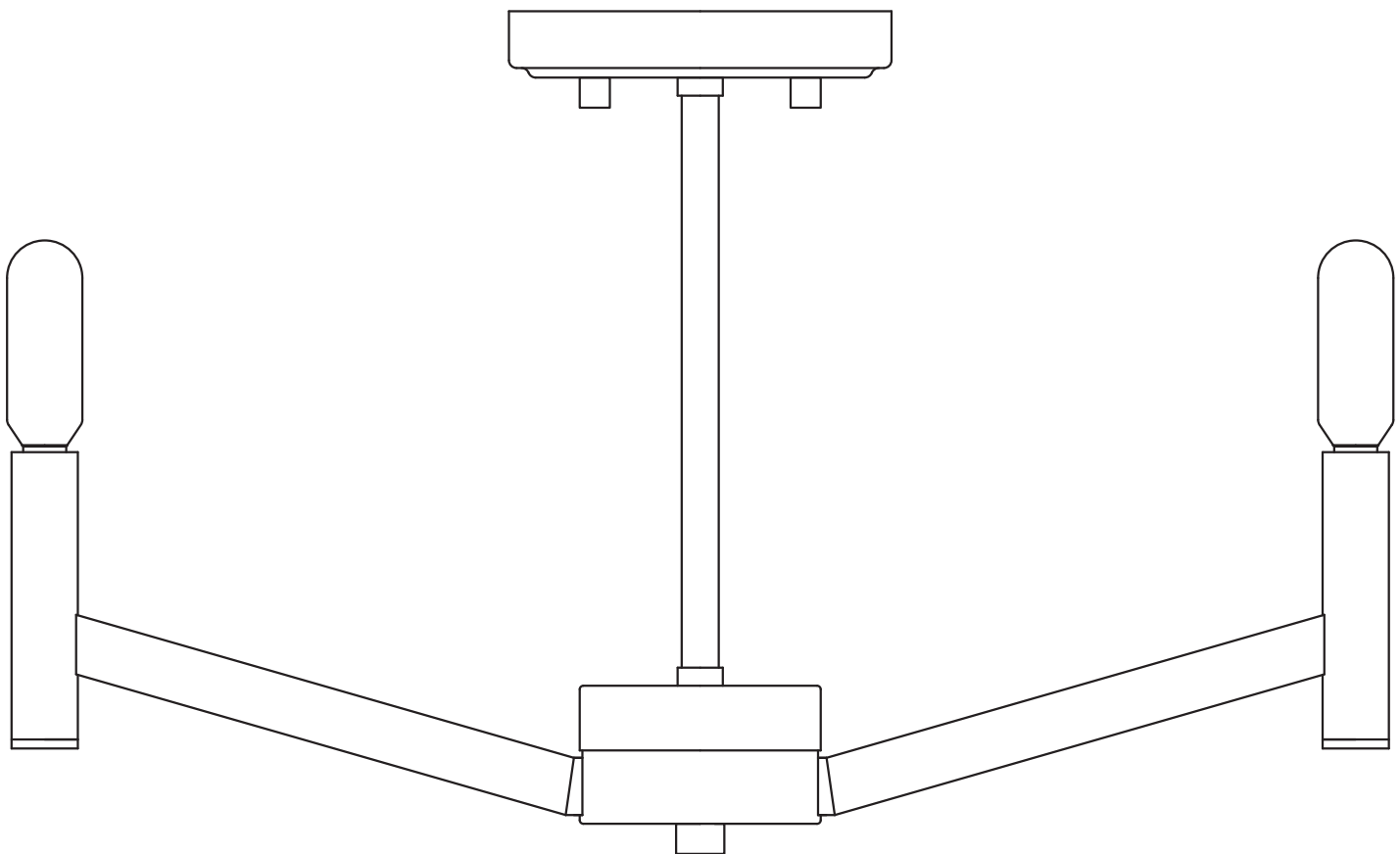
Incandescent version may be dimmed with a standard incandescent dimmer. LED version may be dimmed with a LED dimmer. Consult lamp manufacturer for additional information.

This instruction shows a typical installation.

#### CAUTION - RISK OF FIRE

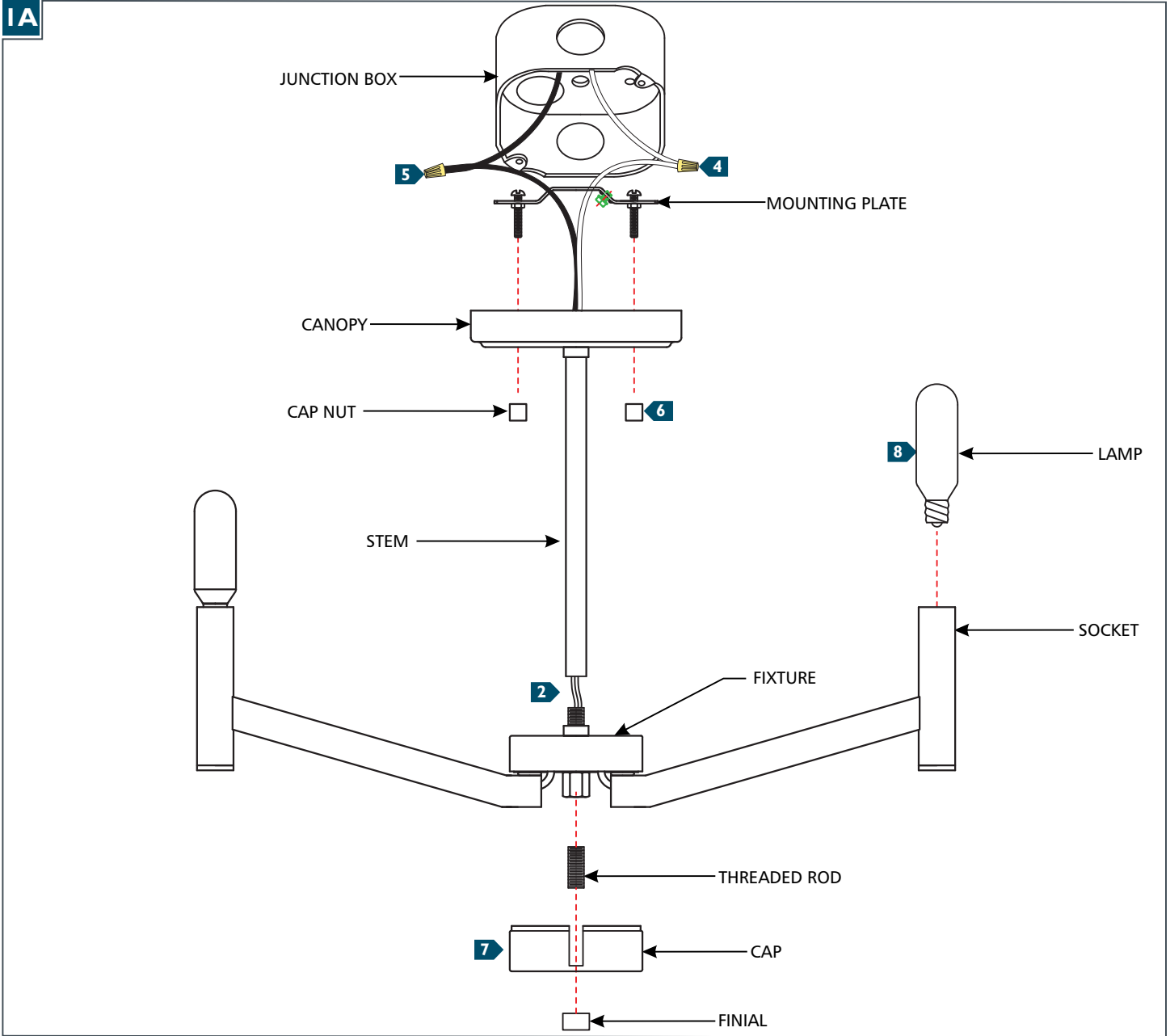
This product must be installed in accordance with the applicable installation code by a person familiar with the construction and operation of the product and the hazards involved.

Use minimum 90°c supply conductors.



GENERATION LIGHTING  
7400 Linder Ave., Skokie, IL 60077  
T 847.410.4400 | F 847.410.4500  
www.generationlighting.com

## Install the Fixture



- 1 Secure the mounting plate to the junction box.
- 2 Feed the fixture wires through the stem and canopy and screw the stem tightly to the fixture.
- 3 Connect the fixture to a suitable ground in accordance to local electrical codes.
- 4 Connect the white fixture wire (square and/or rigid) to the neutral power line wire with a wire nut.
- 5 Connect the black fixture wire (round and/or smooth) to the hot power line wire with a wire nut.
- 6 Neatly place all the wires into the junction box, place the fixture base onto the mounting plate, and secure it in place with cap nuts.
- 7 Screw the threaded rod into the bottom of the fixture, then slide the cap onto the threaded rod and secure the cap with the finial.
- 8 Screw the lamp in to the socket. Refer to the label on the socket for Max Wattage information.