

Finnegan Semi-Flush Mount

SF465 1.0

GENERATION LIGHTING

CEILING

GENERAL PRODUCT INFORMATION:

These fixtures are intended to be installed utilizing NEC compliant junction boxes.

This product is safety listed for damp locations.

Incandescent lamps may be dimmed with a standard incandescent dimmer. LED lamps may be dimmed with a LED dimmer. Consult lamp manufacturer for additional information.

This instruction shows a typical installation.

CAUTION - RISK OF FIRE

This product must be installed in accordance with the applicable installation code by a person familiar with the construction and operation of the product and the hazards involved.

Use minimum 90°C supply conductors.

GENERATION LIGHTING

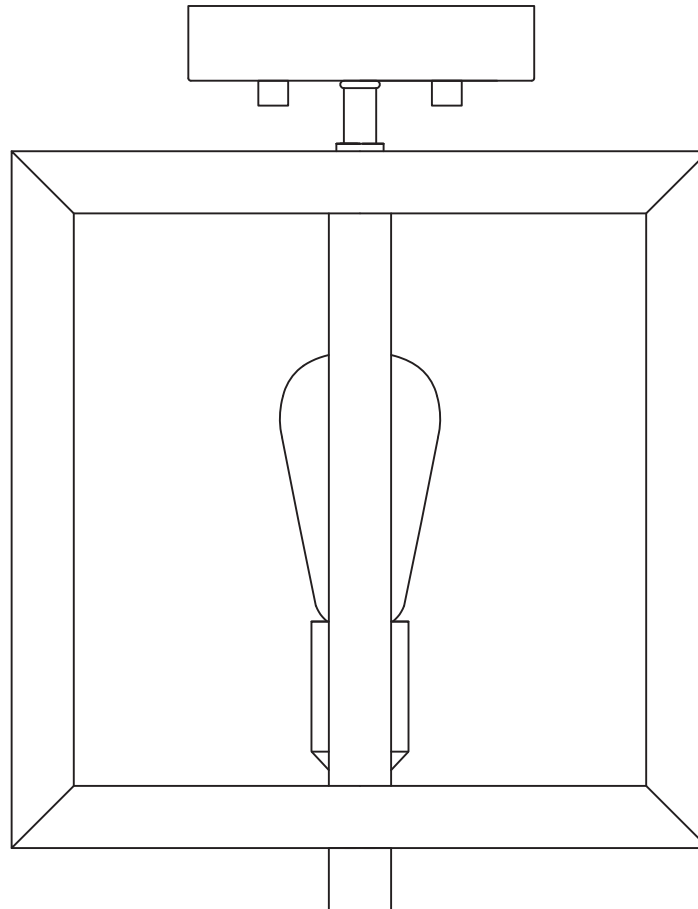
7400 Linder Ave, Skokie, IL 16077

800.969.3347

www.generationlighting.com

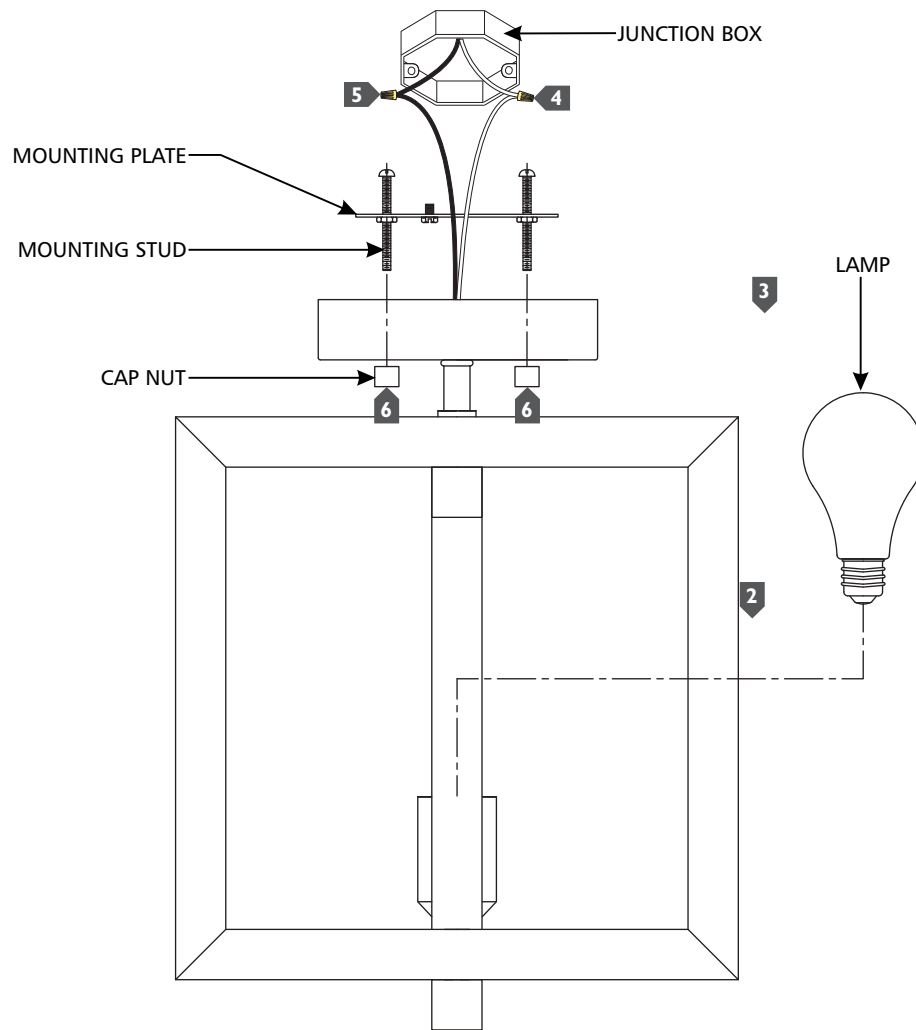
© 2020 Generation Lighting. All rights reserved.

The "Generation Lighting" graphic is a registered trademark of Generation Lighting. Generation Lighting reserves the right to change specifications for product improvements without notification.

**SAVE THESE INSTRUCTIONS!**

Install the Fixture

IA



- 1** Secure the mounting plate to the junction box.
- 2** Screw the lamp into the socket. Refer to the label on the socket for max wattage information.
- 3** Connect the fixture to a suitable ground in accordance with local electrical codes.
- 4** Connect the white fixture wire to the neutral power line wire with a wire nut.
- 5** Connect the black fixture wire to the hot power line wire with a wire nut.
- 6** Neatly tuck the wiring into the junction box, place the fixture base onto the mounting studs, and secure it in place by screwing the cap nuts onto the studs.