

Esther Wall

LW1091 | 1.0

VISUAL COMFORT & Co.

STUDIO COLLECTION

GENERAL PRODUCT INFORMATION:

These fixtures are intended to be installed utilizing NEC compliant junction boxes.

This product is safety listed for damp locations.

Incandescent version may be dimmed with a standard incandescent dimmer. LED version may be dimmed with a LED dimmer. Consult lamp manufacturer for additional information.

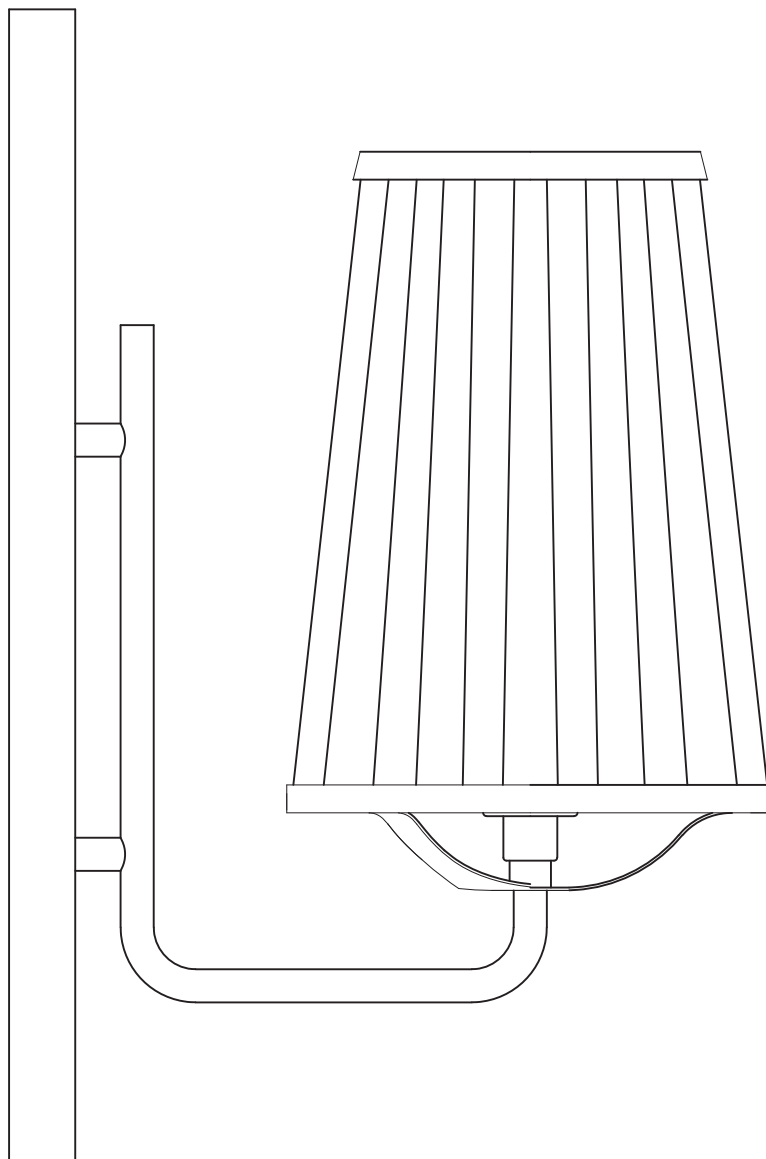
This instruction shows a typical installation.

CAUTION - RISK OF FIRE

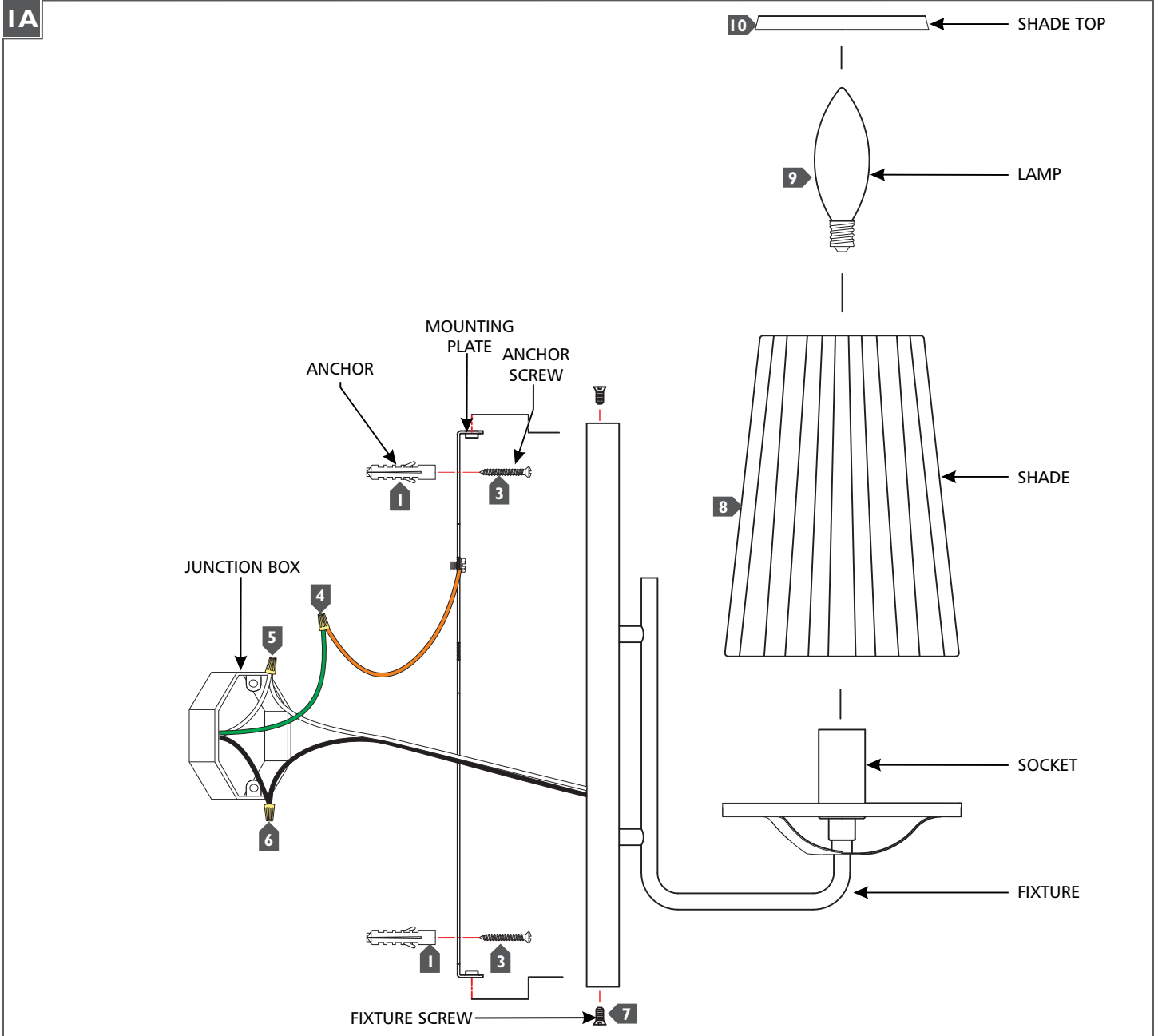
This product must be installed in accordance with the applicable installation code by a person familiar with the construction and operation of the product and the hazards involved.

Use minimum 90°c supply conductors.

SAVE THESE INSTRUCTIONS!



Install the Fixture



- 1** Temporarily secure the mounting plate to the junction box and mark the location of the anchors, then remove the mounting plate.
- 2** At the marked locations, tap the anchors into the drywall then use a screw driver to screw them all the way in.
- 3** Secure the mounting plate to the junction box and screw the anchor screws through the anchors.
- 4** Connect the fixture to a suitable ground in accordance to local electrical codes.
- 5** Connect the white fixture wire (square and/or rigid) to the neutral power line wire with a wire nut.
- 6** Connect the black fixture wire (round and/or smooth) to the hot power line wire with a wire nut.
- 7** Neatly place all the wires into the junction box, place the canopy onto the mounting plate, and secure it in place using the fixture screws.
- 8** Install the shade by placing one onto the socket assembly.
- 9** Screw the lamp into the socket. Refer to the label on the lamp socket for Max Wattage Information.
- 10** Place the shade top onto the shade.