

Gesture Table Lamp

KT1262 | 1.0

VISUAL COMFORT & Co.

STUDIO COLLECTION

GENERAL PRODUCT INFORMATION:

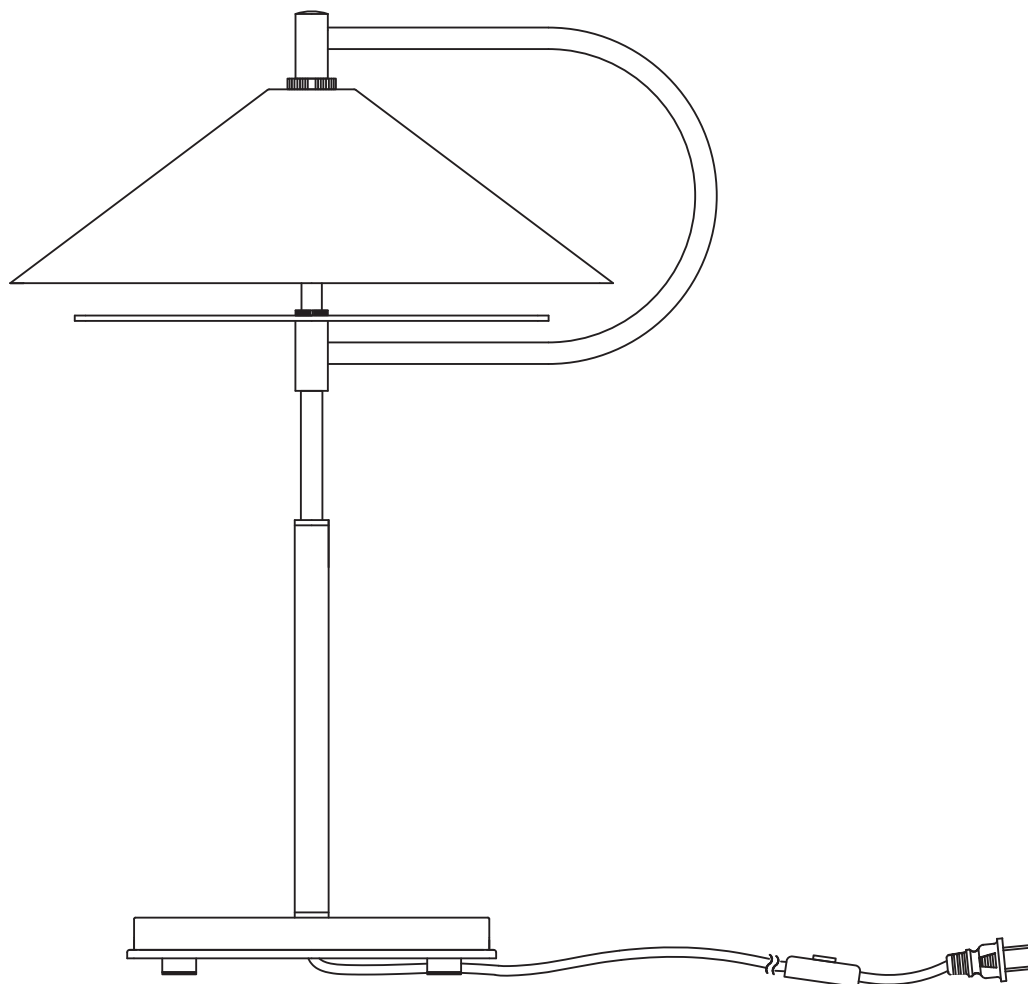
This product is safety listed for dry locations only.

This instruction shows a typical installation.

SAVE THESE INSTRUCTIONS!

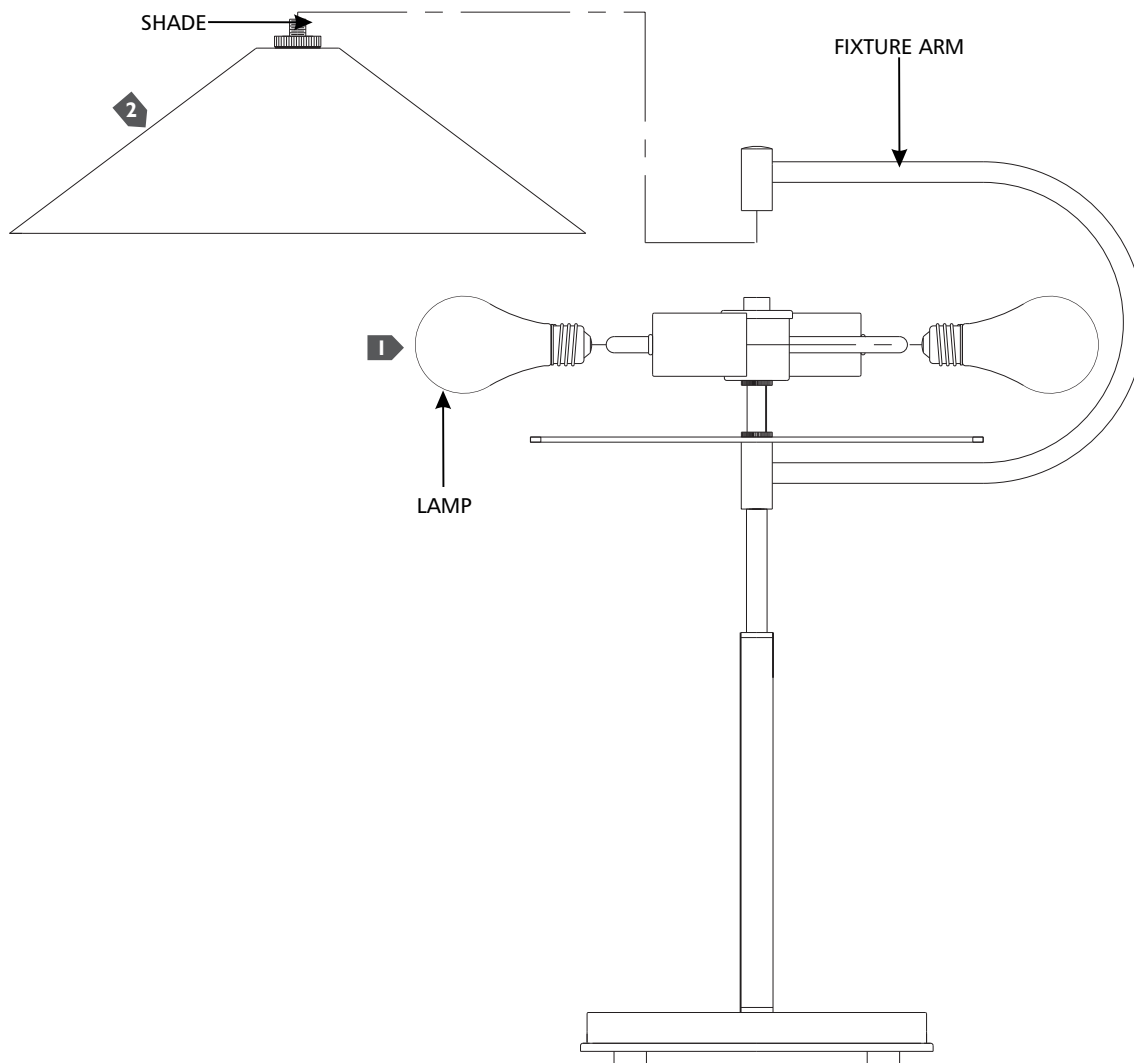
IMPORTANT SAFETY INSTRUCTIONS

This portable lamp has a polarized plug (one blade is wider than the other) as a safety feature to reduce the risk of electric shock. This plug will fit in a polarized outlet only one way. If the plug does not fit fully in the outlet, reverse the plug. If it still does not fit contact a qualified electrician. Never use with an extension cord unless plug can be fully inserted. Do not attempt to defeat this safety feature.



Assemble the Lamp

IA



- 1 Screw the lamps into the sockets. Refer to the label on the lamp socket for Max Wattage Information.
- 2 Screw the shade onto the fixture arm.