

Arden Wall**CW1061** | 1.0**VISUAL COMFORT & Co.****STUDIO COLLECTION****GENERAL PRODUCT INFORMATION:**

These fixtures are intended to be installed utilizing NEC compliant junction boxes.

This product is safety listed for damp locations.

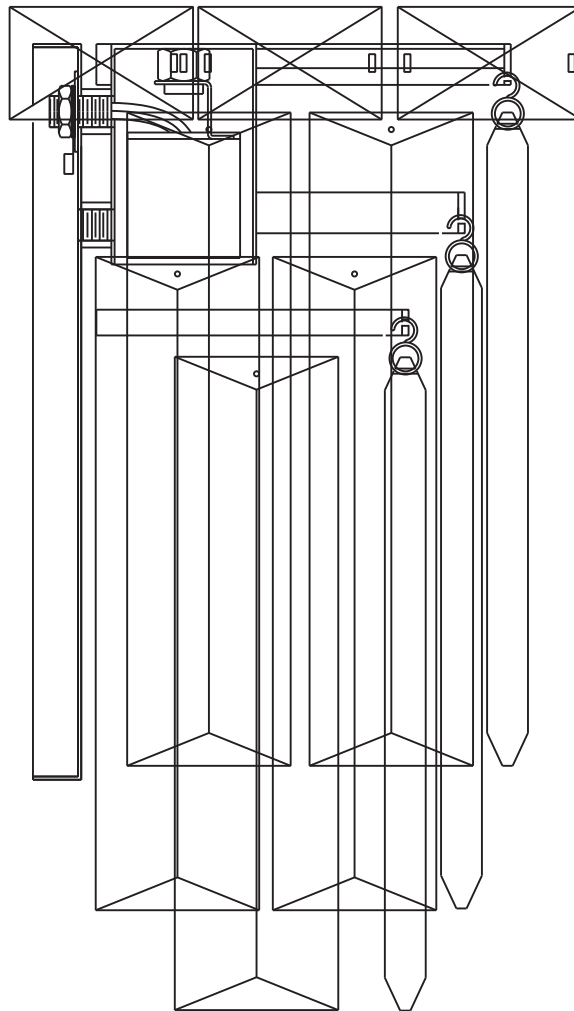
Incandescent lamps may be dimmed with a standard incandescent dimmer. LED lamps may be dimmed with a LED dimmer. Consult lamp manufacturer for additional information.

This instruction shows a typical installation.

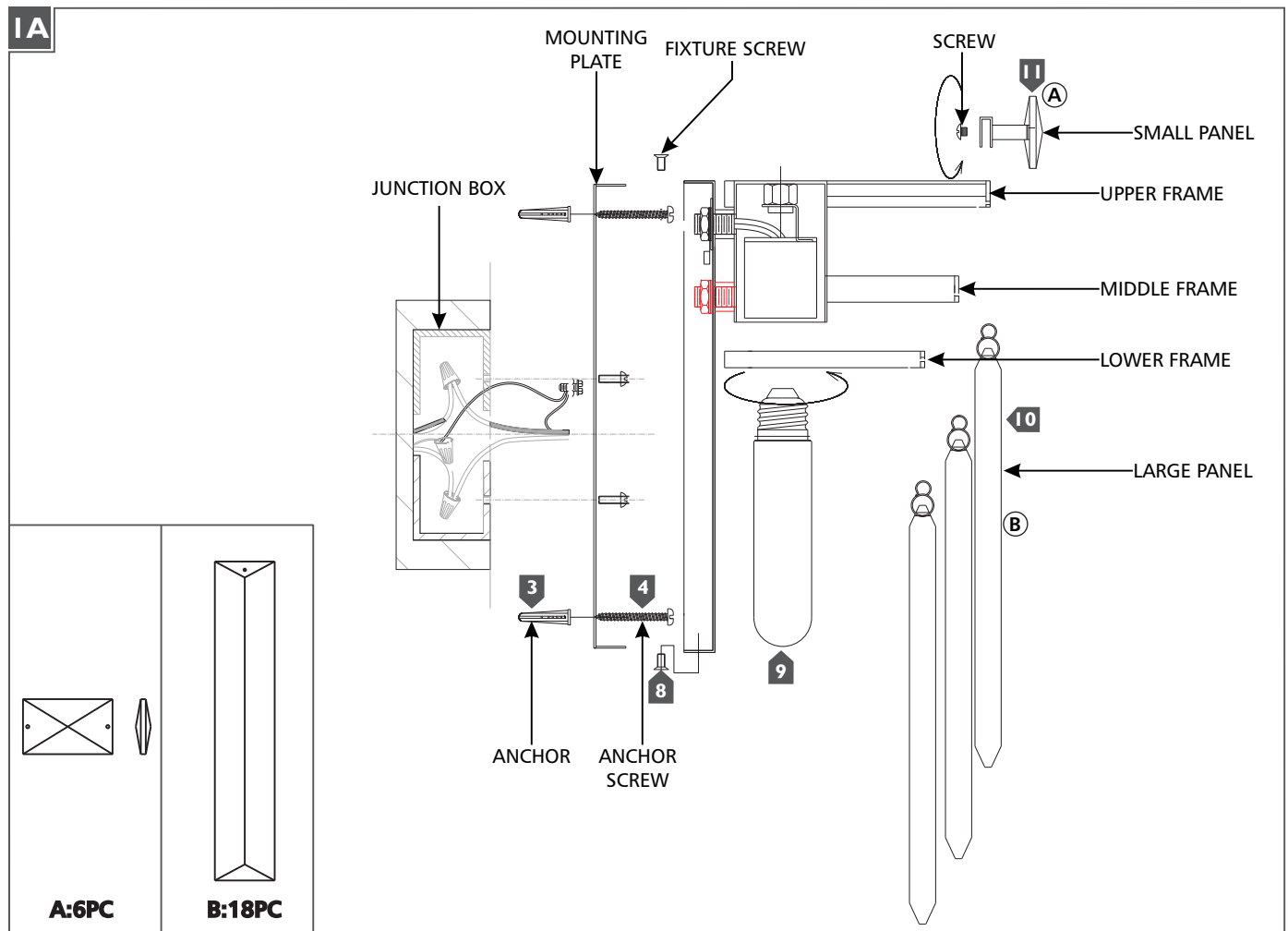
CAUTION - RISK OF FIRE

This product must be installed in accordance with the applicable installation code by a person familiar with the construction and operation of the product and the hazards involved.

Use minimum 90°c supply conductors.

**SAVE THESE INSTRUCTIONS!**

Install the Fixture



- 1** Temporarily install the mounting plate to the junction box.
- 2** Mark the anchor locations through the holes on the mounting plate. Remove the mounting plate.
- 3** Drill appropriate sized holes at the marked locations and install the anchors.
- 4** Secure the mounting plate to the junction box and screw the anchor screws into the anchors.
- 5** Connect the fixture ground wire to a suitable ground in accordance to local electrical codes.
- 6** Connect the white fixture wire to the neutral power line wire with a wire nut.
- 7** Connect the black fixture wire to the hot power line wire with a wire nut.
- 8** Properly place all wires and wire nut connections into the junction box/fixture base, mount the fixture onto the mounting plate, and secure it in place using the fixture screws.
- 9** Screw the lamps into the sockets. Refer to the label on the lamp socket for Max Wattage Information.
- 10** Install the large panels to the lower frame by sliding the loops through the opening at the end of the frame. Repeat for middle and upper frames.
- 11** Install the small panels to the fixture base using the screws.