

Installation Instructions for

Atlantic Pendant

CP1041 I.I

VISUAL COMFORT & Co.

STUDIO COLLECTION

GENERAL PRODUCT INFORMATION:

These fixtures are intended to be installed utilizing NEC compliant junction boxes.

This product is safety listed for damp locations.

Incandescent version may be dimmed with a standard incandescent dimmer. LED version may be dimmed with a LED dimmer. Consult lamp manufacturer for additional information.

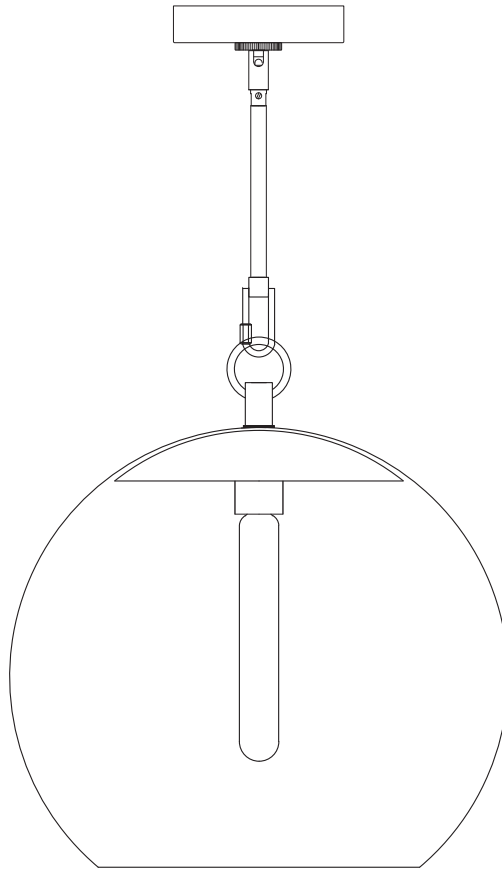
This instruction shows a typical installation.

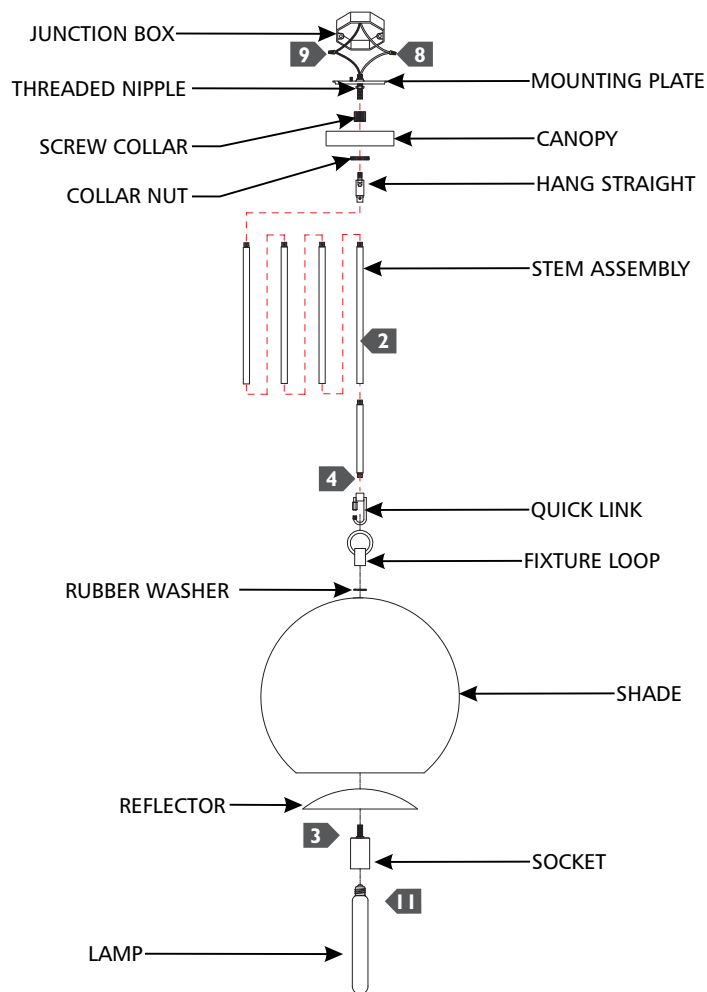
SAVE THESE INSTRUCTIONS!

CAUTION - RISK OF FIRE

This product must be installed in accordance with the applicable installation code by a person familiar with the construction and operation of the product and the hazards involved.

Use minimum 90°C supply conductors.



IA

- 1** if necessary, screw the shorter end of the threaded nipple tightly onto the mounting plate, then screw the screw collar tightly onto the mounting plate.
- 2** Determine the wanted height or look of the fixture with the provided hang straight, stems, and quick link, then assemble them by screwing them together.
- 3** Assemble the shade by inserting the threaded nipple on the socket through the reflector and shade. Then install the rubber washer and secure the assembly in place by screwing on the fixture loop (do not over tighten).
- 4** Feed the fixture wires through the stem assembly, then install the quick link onto the fixture loop.
- 5** Feed the fixture wires through the collar nut, canopy, and the mounting plate assembly, then screw the mounting plate assembly onto the stem assembly.
- 6** Align and secure the mounting plate to the junction box.
- 7** Connect the fixture to a suitable ground in accordance to local electrical codes.
- 8** Connect the white fixture wire (square and/or rigid) to the neutral power line wire with a wire nut.
- 9** Connect the black fixture wire (round and/or smooth) to the hot power line wire with a wire nut.
- 10** Neatly place all the wires into the junction box, place the canopy onto the mounting plate, and secure it in place by screwing the collar nut tightly onto the mounting plate.
- 11** Install the lamp by screwing it completely into the socket. Refer to the label on the socket for Max Wattage Information.