

# Eastham Pendant

CO1341 | 1.0

## GENERATION LIGHTING PENDANT

### GENERAL PRODUCT INFORMATION:

These fixtures are intended to be installed utilizing NEC compliant junction boxes.

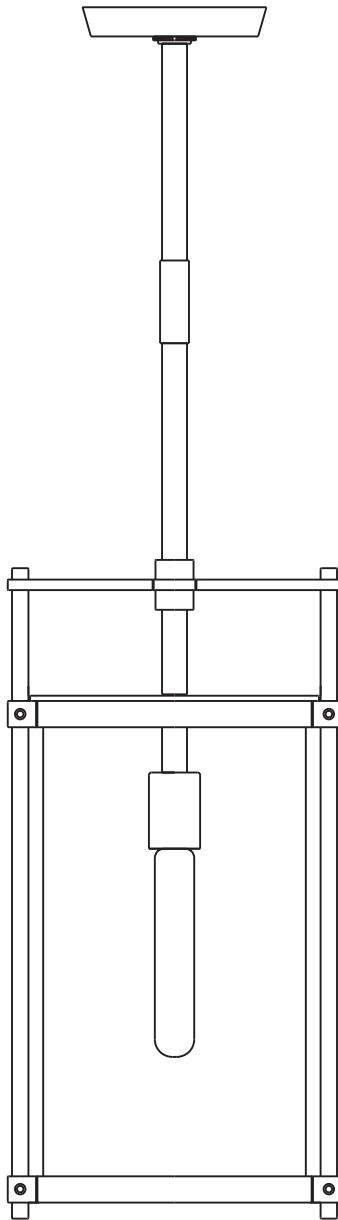
This product is safety listed for damp locations.

Incandescent version may be dimmed with a standard incandescent dimmer. LED version may be dimmed with a LED dimmer. Consult lamp manufacturer for additional information.

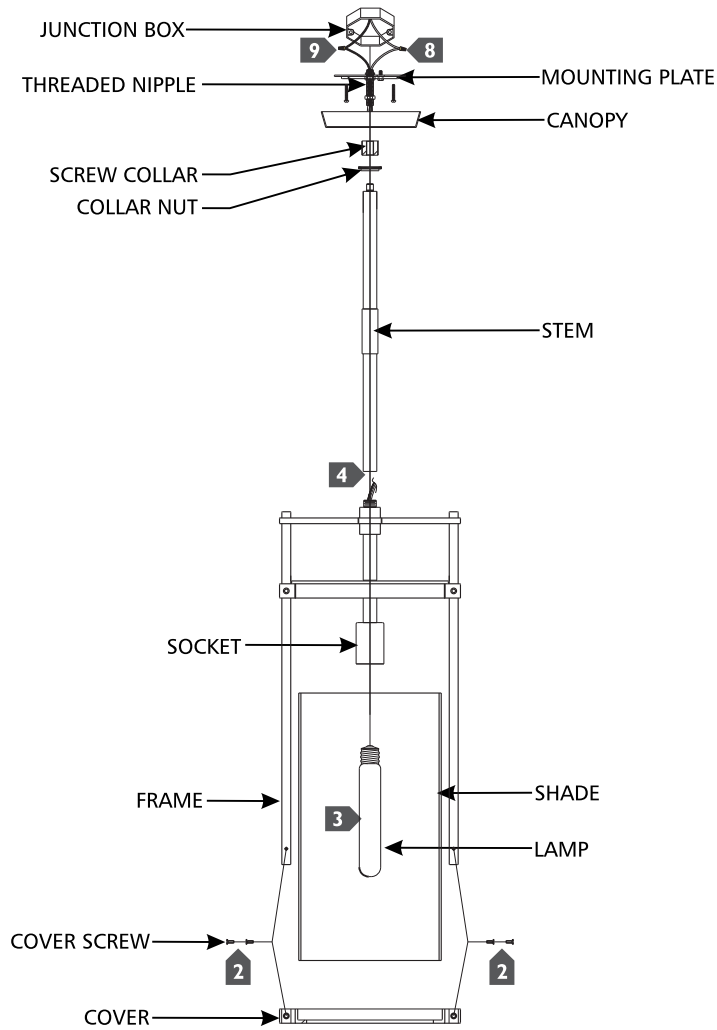
This instruction shows a typical installation.

**SAVE THESE INSTRUCTIONS!**

**CAUTION - RISK OF FIRE**  
This product must be installed in accordance with the applicable installation code by a person familiar with the construction and operation of the product and the hazards involved.  
**Use minimum 90°C supply conductors.**



GENERATION LIGHTING  
7400 Linder Ave., Skokie, IL 60077  
T 847.410.4400 | F 847.410.4500  
www.generationlighting.com

**IA**

- 1** if necessary, screw the shorter end of the threaded nipple tightly onto the mounting plate, then screw the screw collar tightly onto the mounting plate.
- 2** Assemble the shade by inserting it into the frame, then screwing the cover to the frame using the cover screws.
- 3** Screw the lamp into the socket. Refer to the label on the socket for Max Wattage Information
- 4** Feed the fixture wires through the stem, then screw it onto the top of the fixture.
- 5** Feed the fixture wires through the collar nut, canopy, and mounting plate assembly (in that order), then screw the mounting plate assembly onto the stem.
- 6** Align and secure the mounting plate to the junction box.
- 7** Connect the fixture to a suitable ground in accordance to local electrical codes.
- 8** Connect the white fixture wire (square and/or rigid) to the neutral power line wire with a wire nut.
- 9** Connect the black fixture wire (round and/or smooth) to the hot power line wire with a wire nut.
- 10** Neatly place all the wires into the junction box, place the canopy onto the mounting plate, and secure it in place by screwing the collar nut tightly onto the mounting plate.